







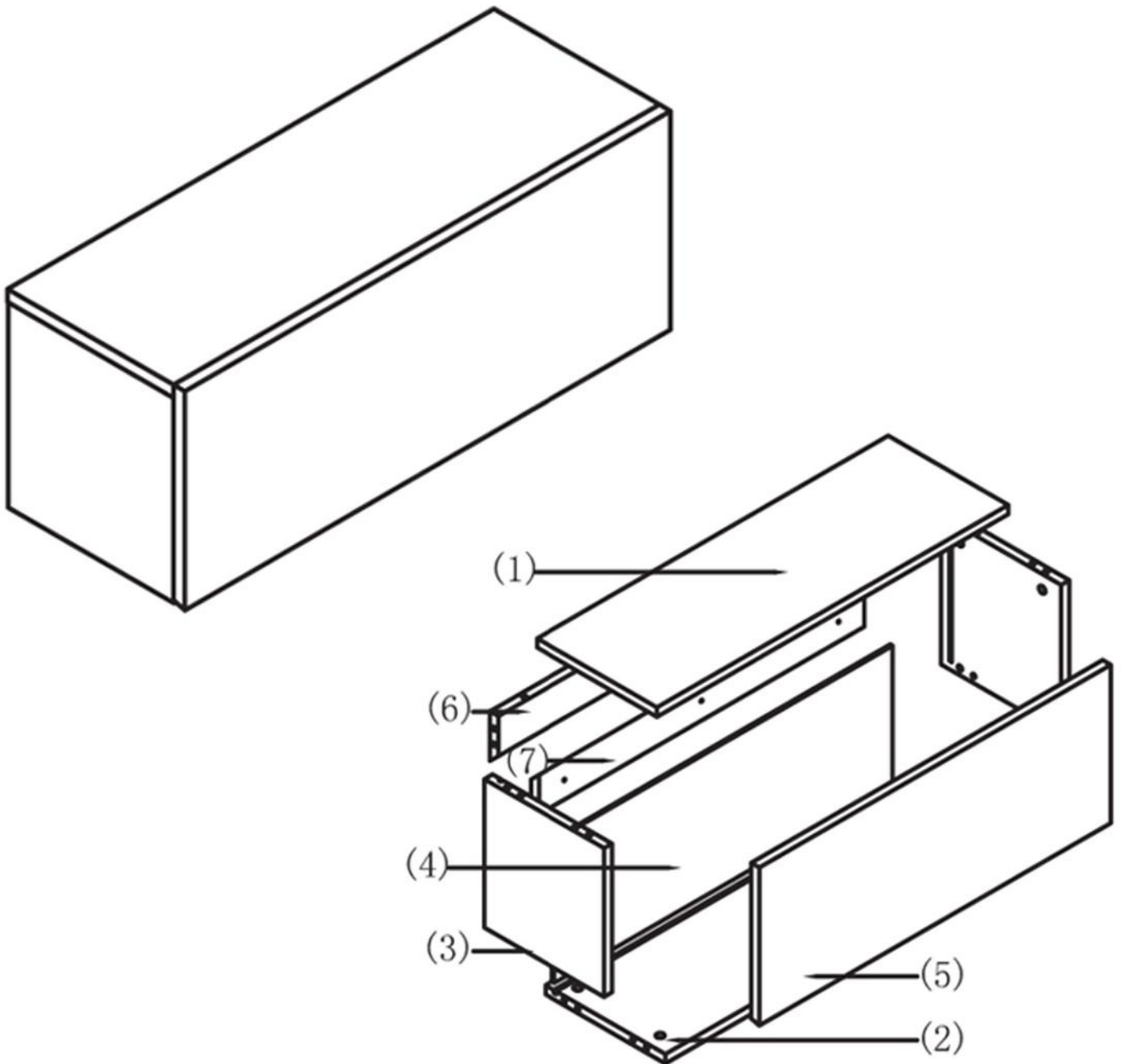
## ASSEMBLY INSTRUCTIONS

Thank you for your purchase. Please follow the instructions provided below :-

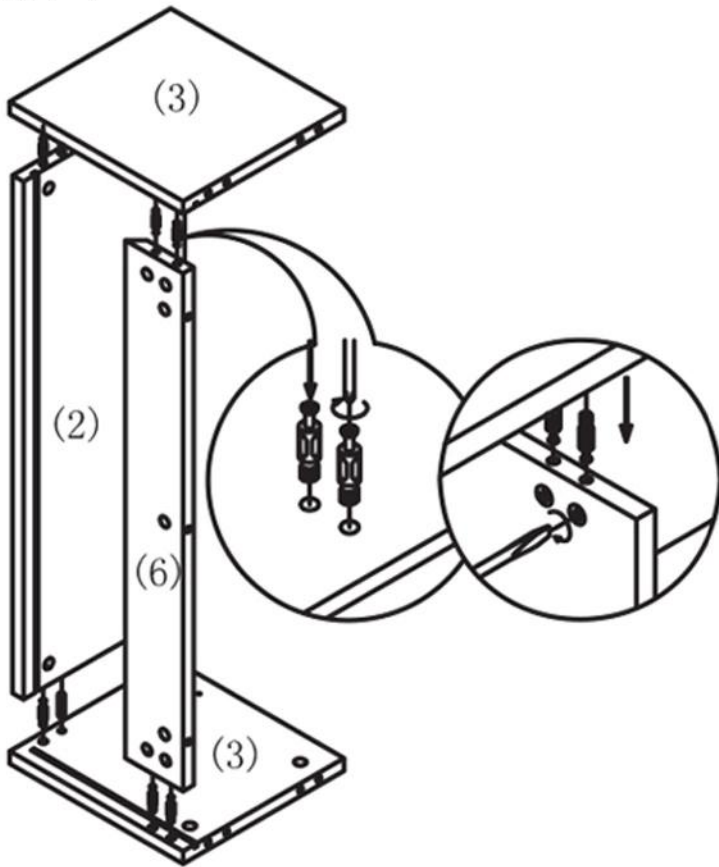
Product Name - Lexington Hanging Cabinet Set of 5

### HARDWARE LIST :

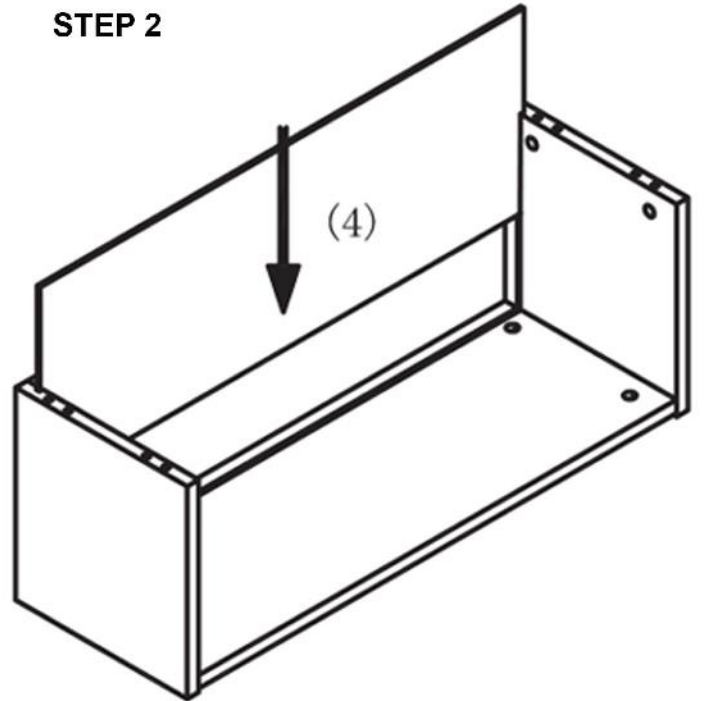
<b>A SCREW</b>		<b>E MINIFIX</b>	
<b>B WALL GITTI</b>		<b>F HYDRAULIC</b>	
<b>E DOWEL</b>			
<b>D HINGES</b>			



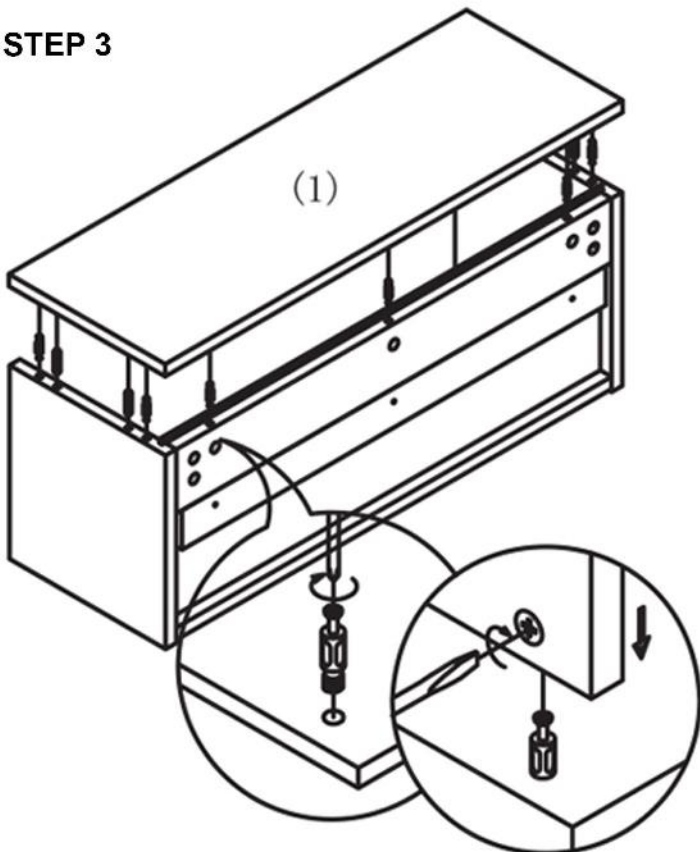
STEP 1



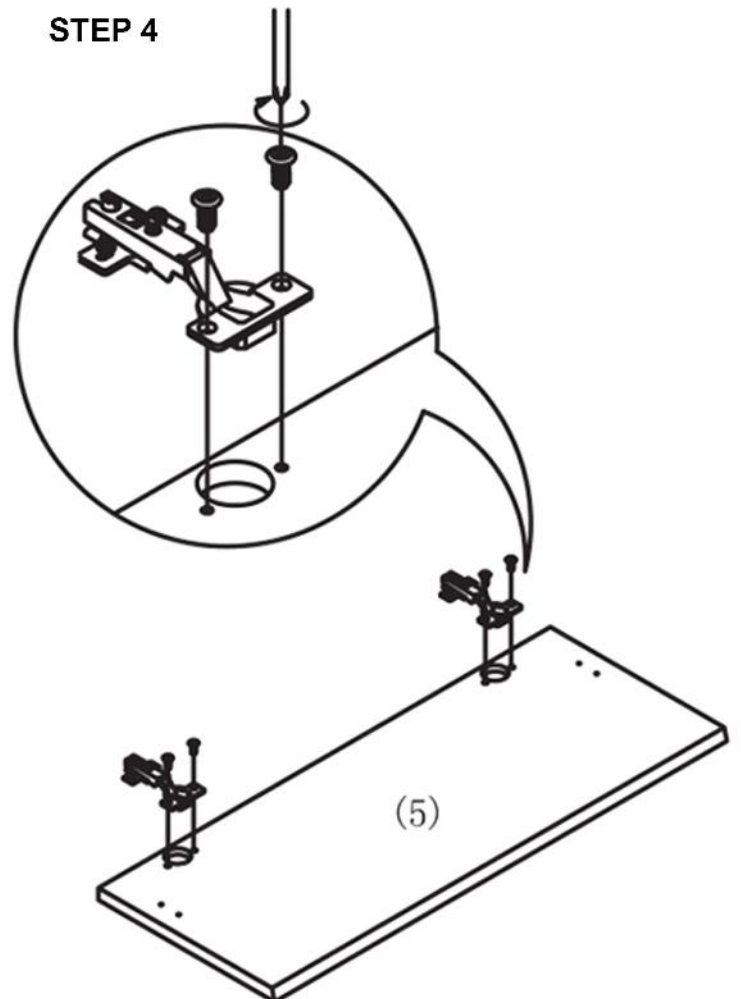
STEP 2



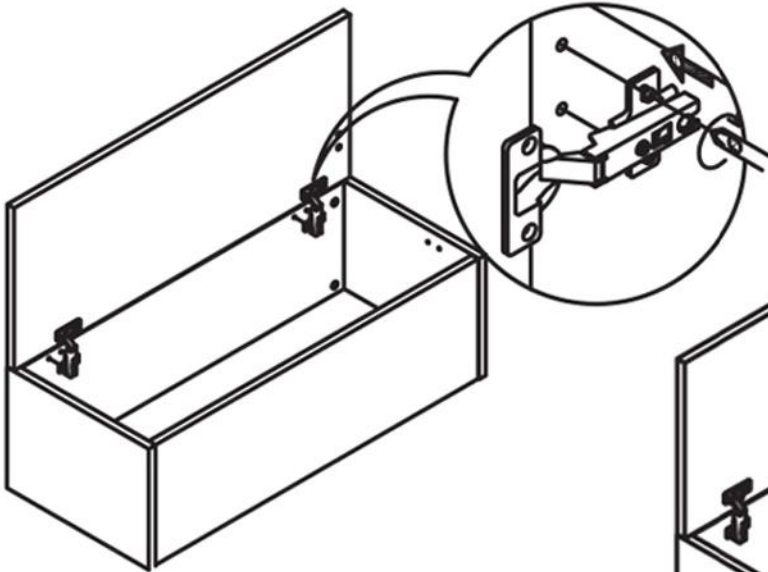
STEP 3



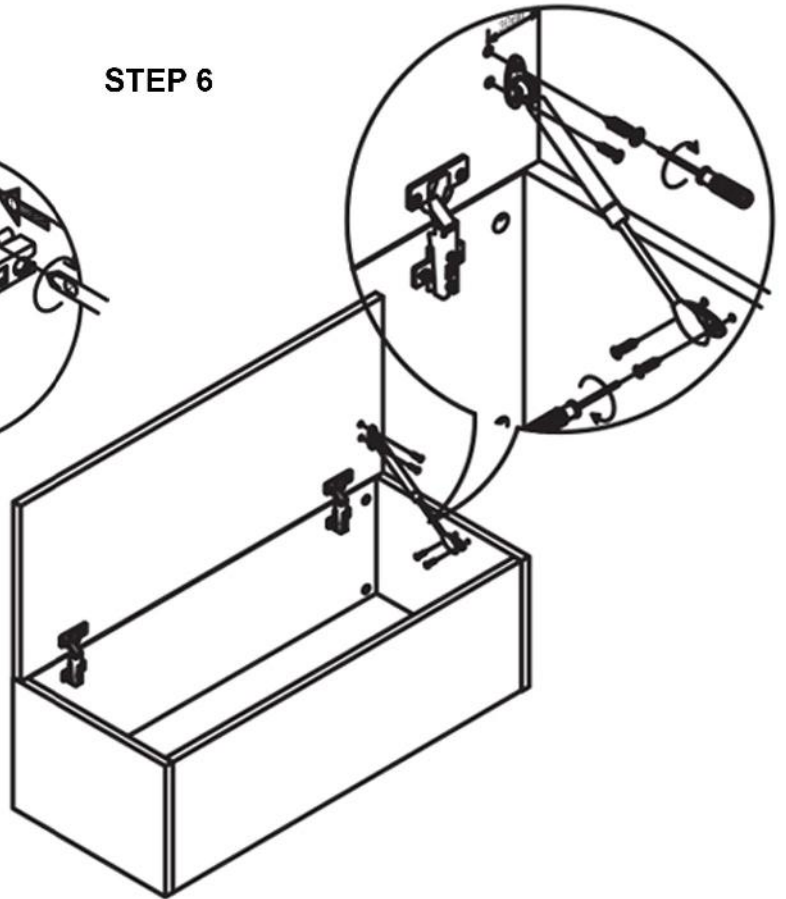
STEP 4



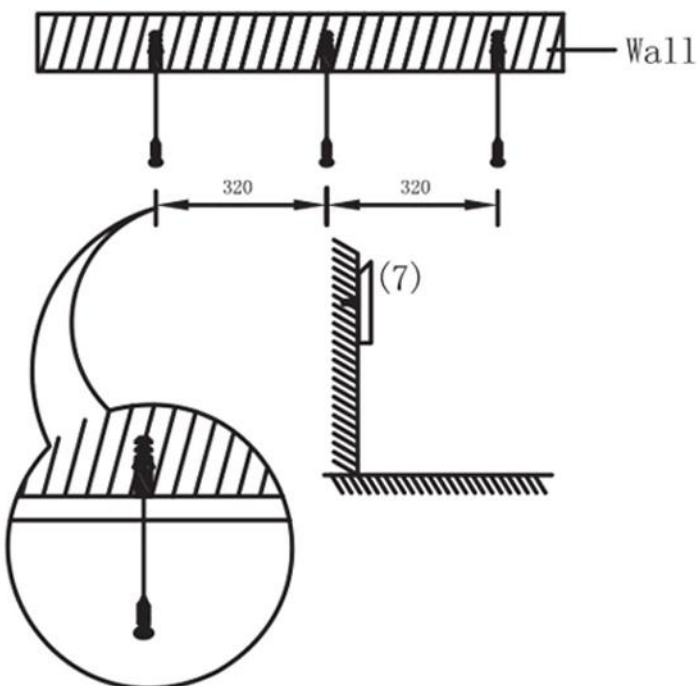
STEP 5



STEP 6



STEP 7



STEP 8

