











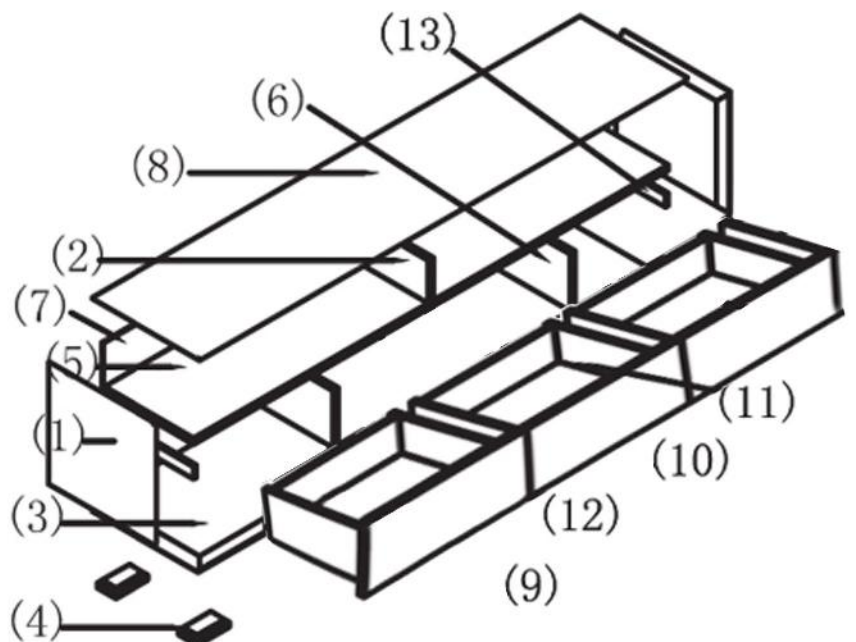
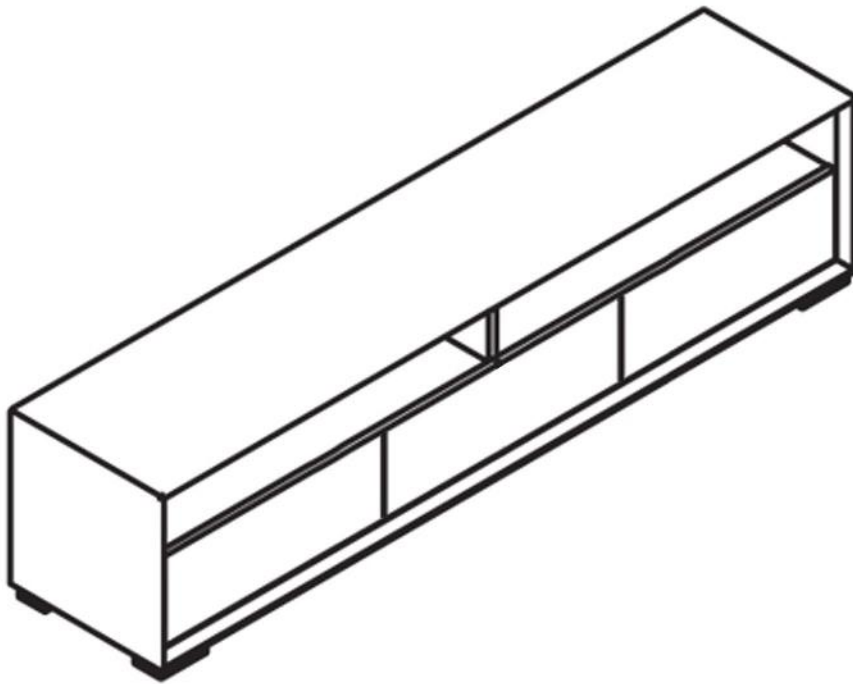


ASSEMBLY INSTRUCTIONS

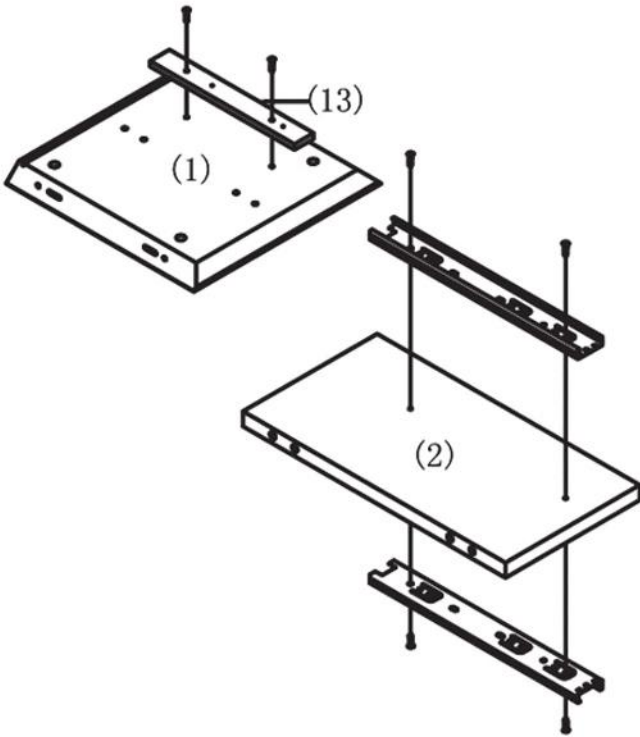
Thank you for your purchase. Please follow the instructions provided below :-
Product Name - Lexington Media Unit

HARDWARE LIST :

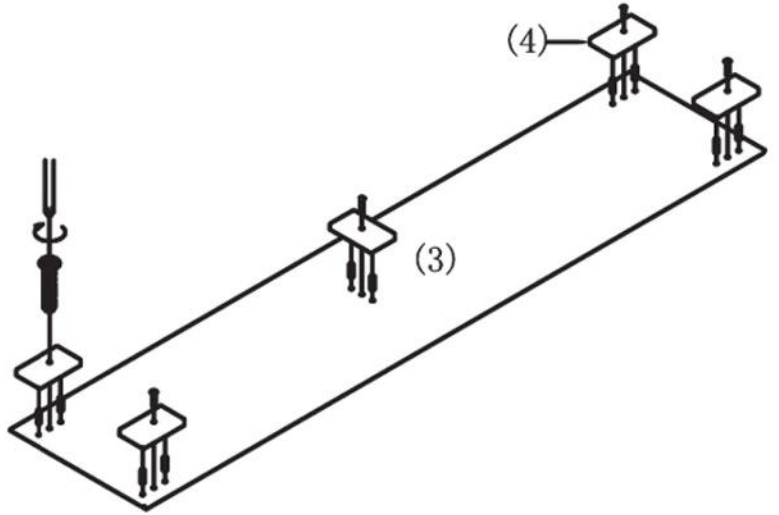
A SCREW		E CONNECTOR HOISING		I HOISING	
B CHANNEL		F CONNECTOR		J LOCK	
C MINIFIX		G MINIFIX LOCK		K HINGES	
D DOWEL		H SELF PIN		L BOLT	



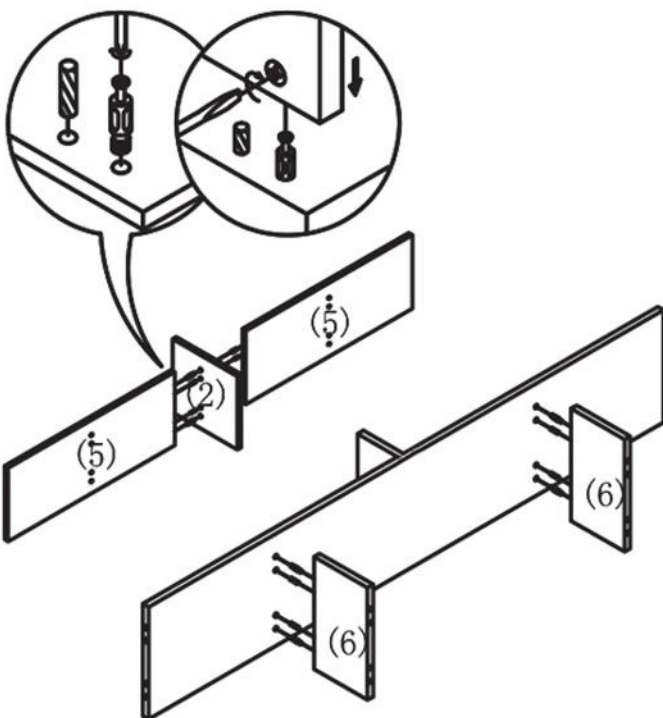
STEP 1



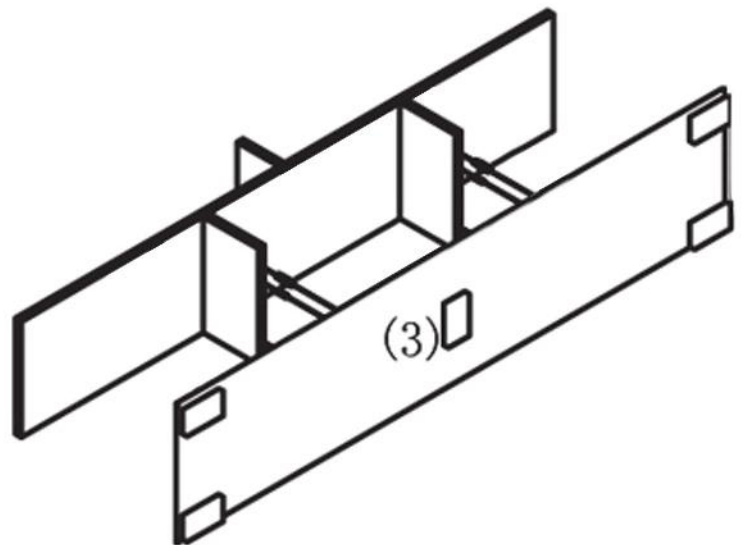
STEP 2



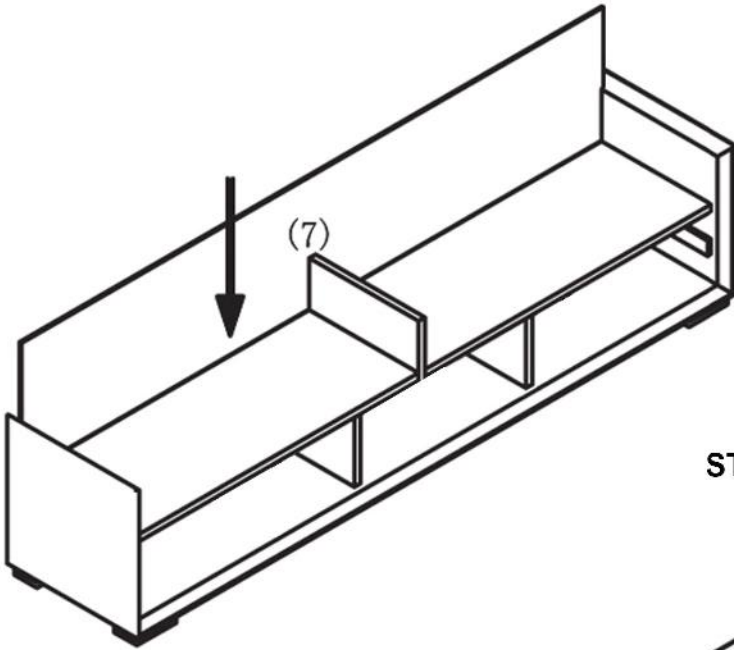
STEP 3



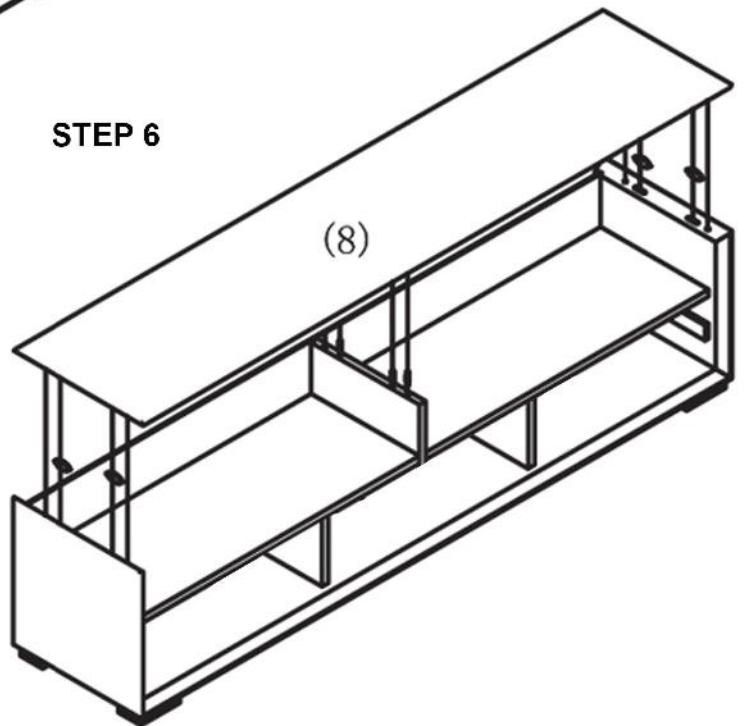
STEP 4



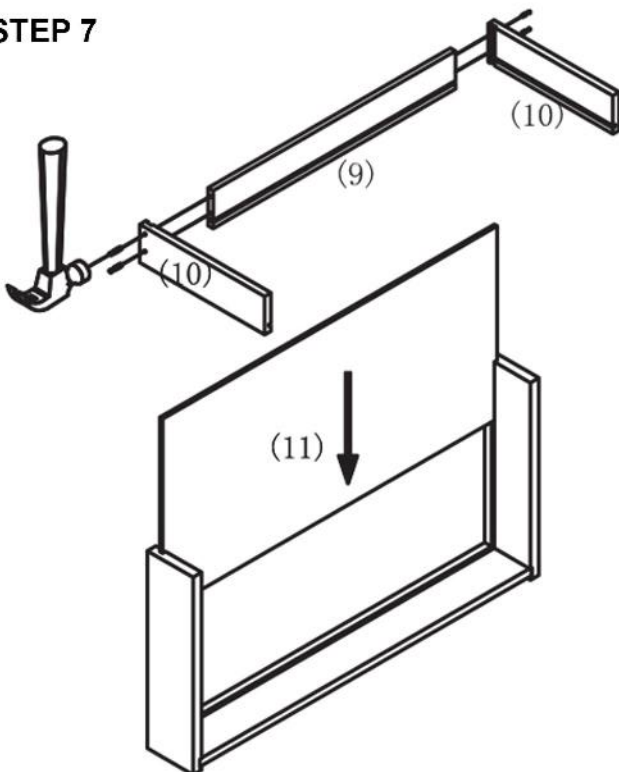
STEP 5



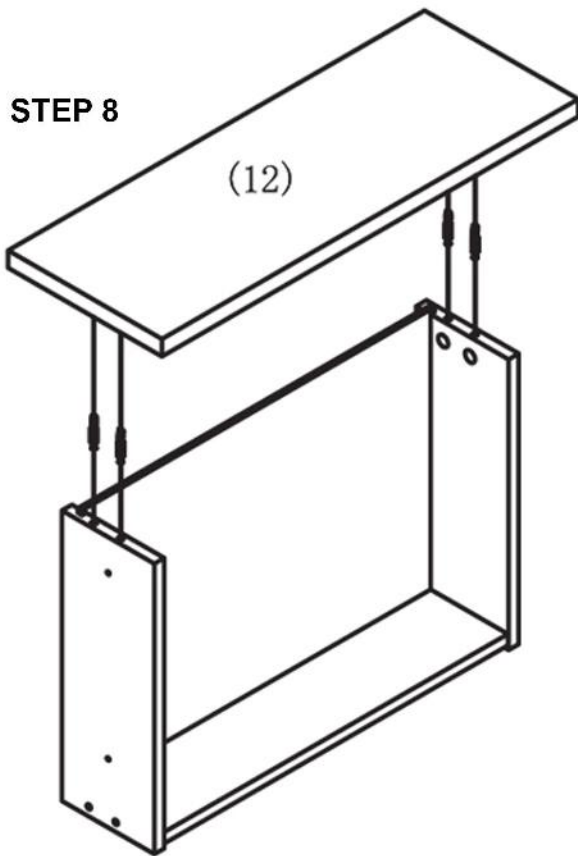
STEP 6



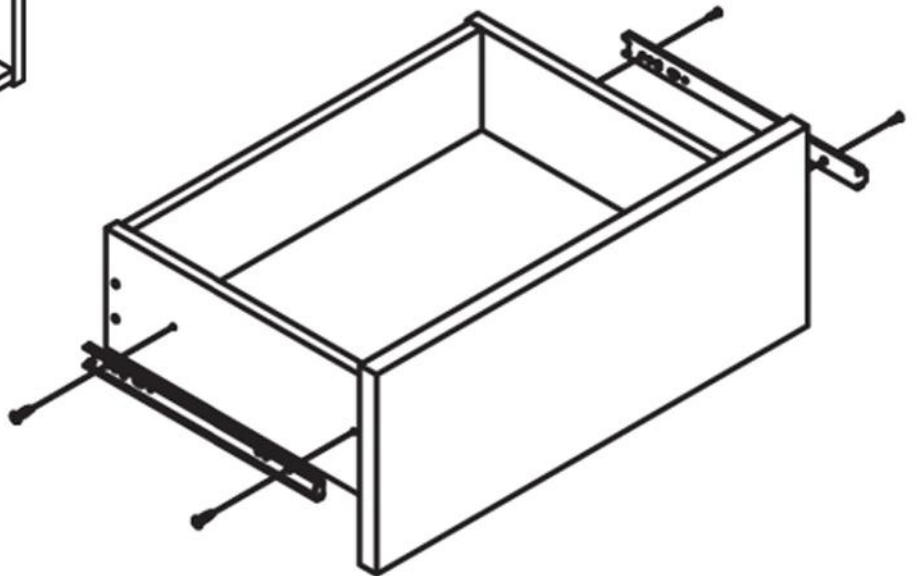
STEP 7



STEP 8



STEP 9



STEP 10

