

ASSEMBLY INSTRUCTIONS

Thank you for your purchase. Please follow the instructions provided below :-

Product Name - Lexington Soft Back Bed

HARDWARE LIST :

A DOWEL



E LEGS



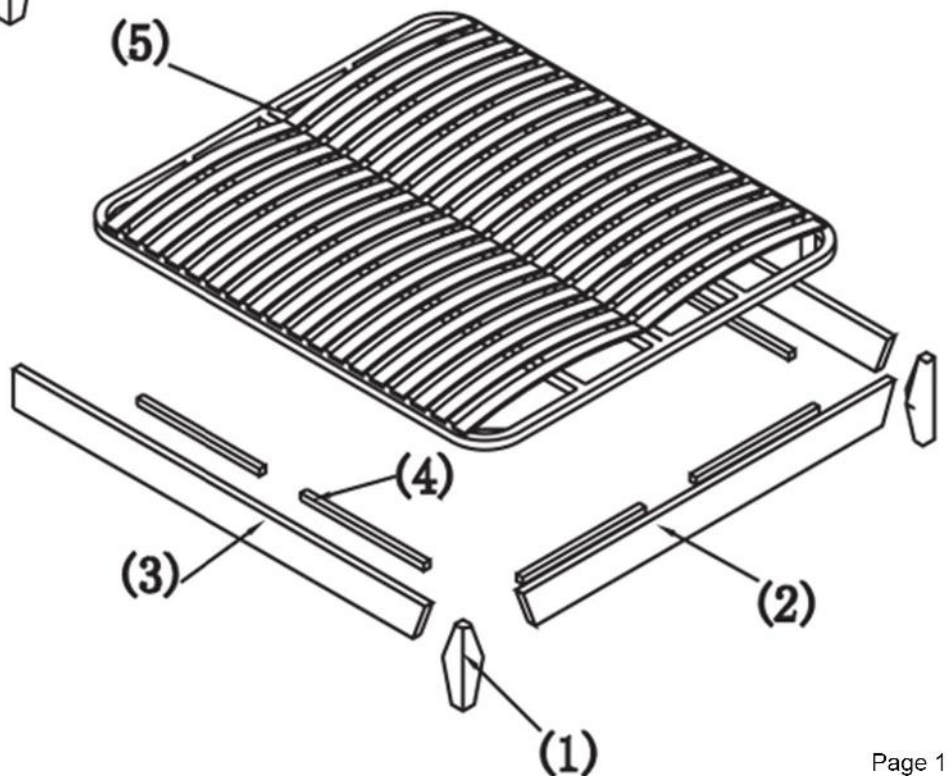
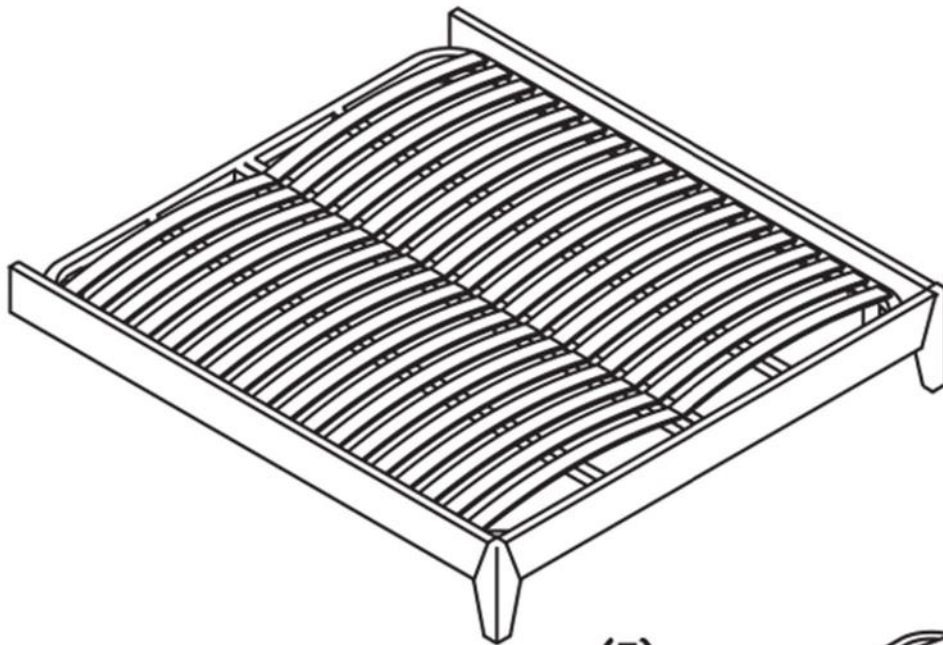
B WASHER



C NUT

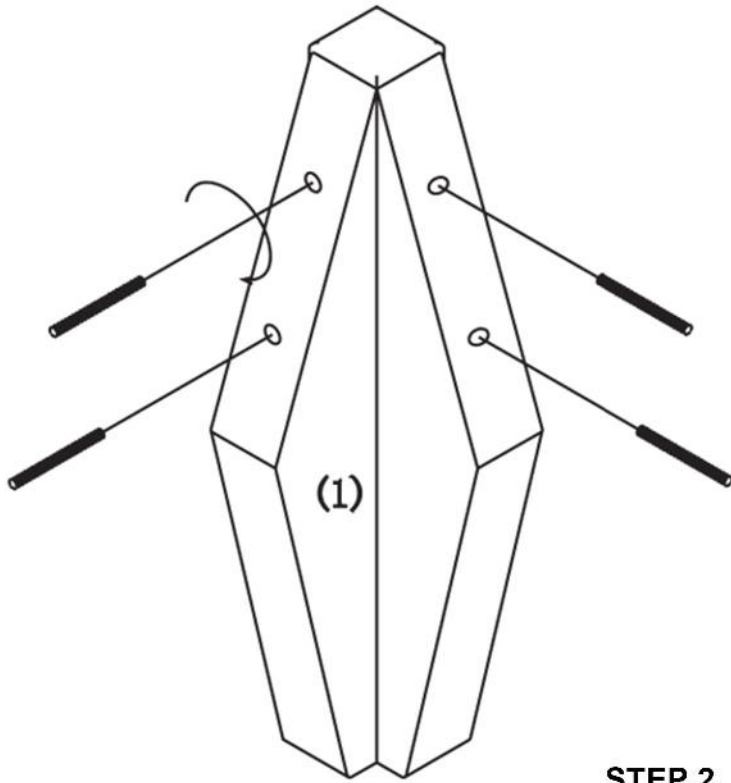


D BOLT

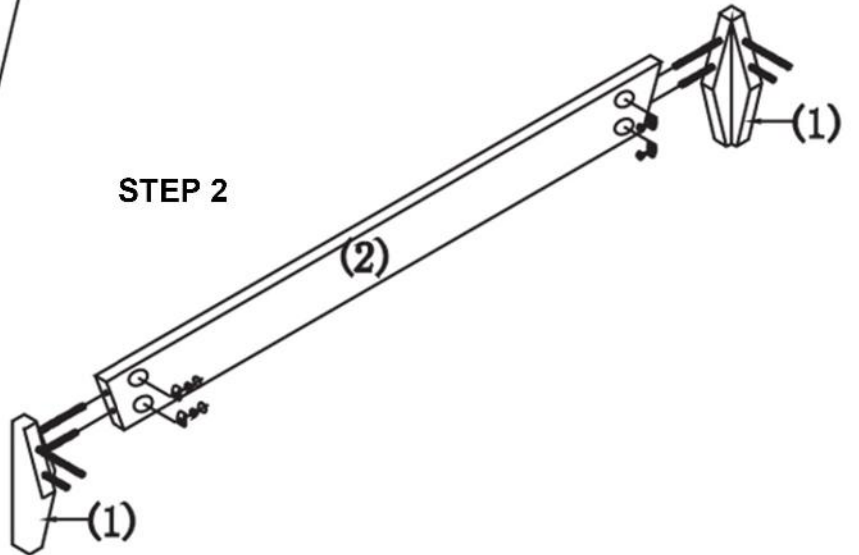


Product Name - Lexington Soft Back Bed

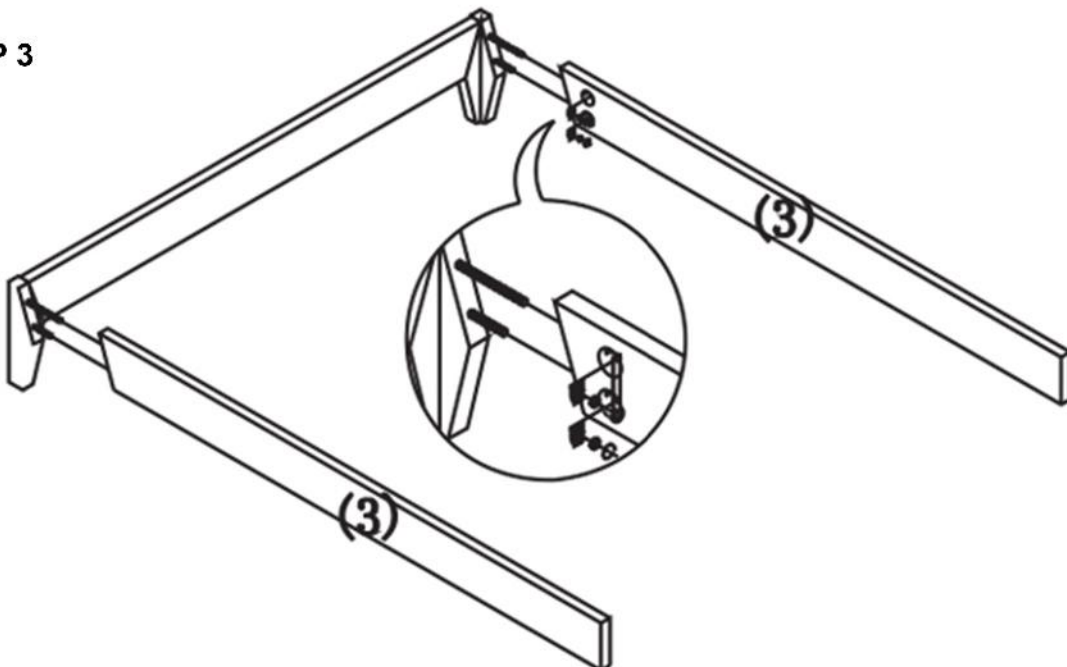
STEP 1



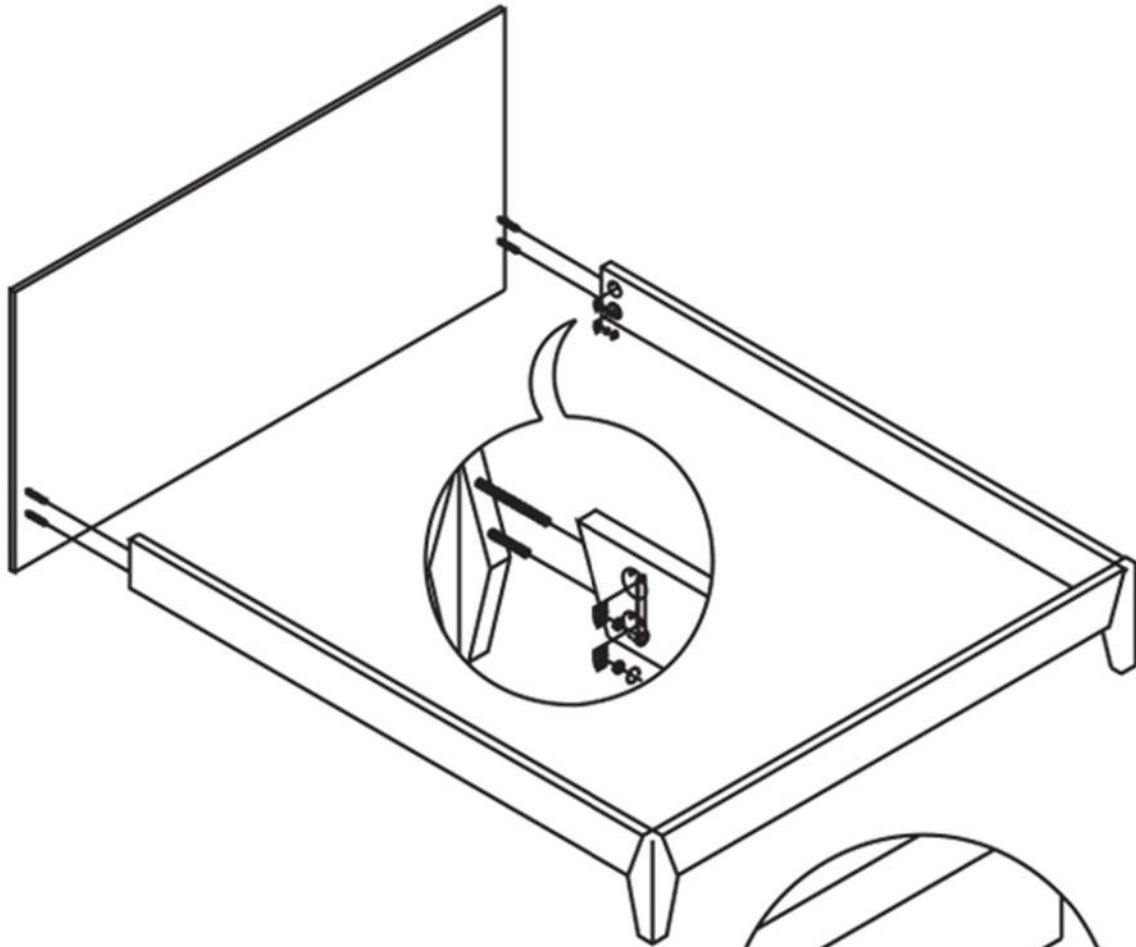
STEP 2



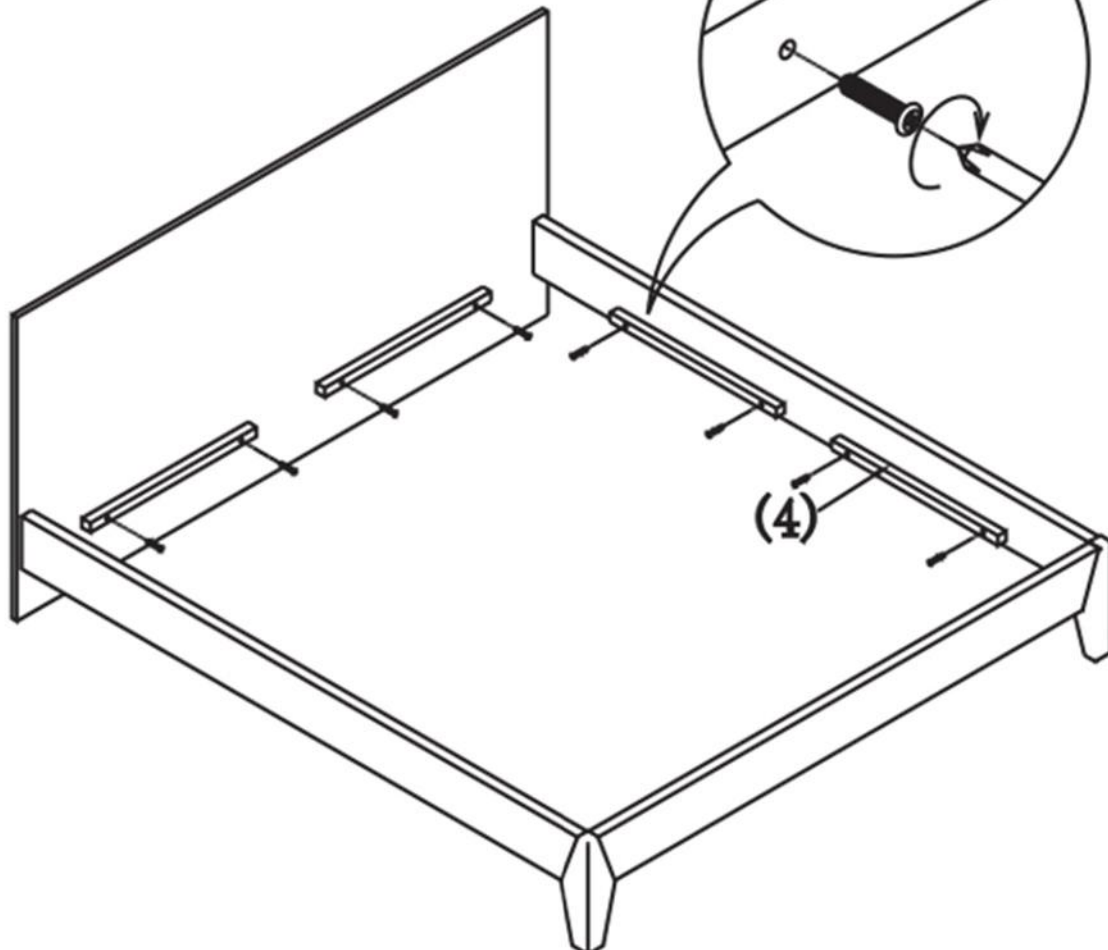
STEP 3



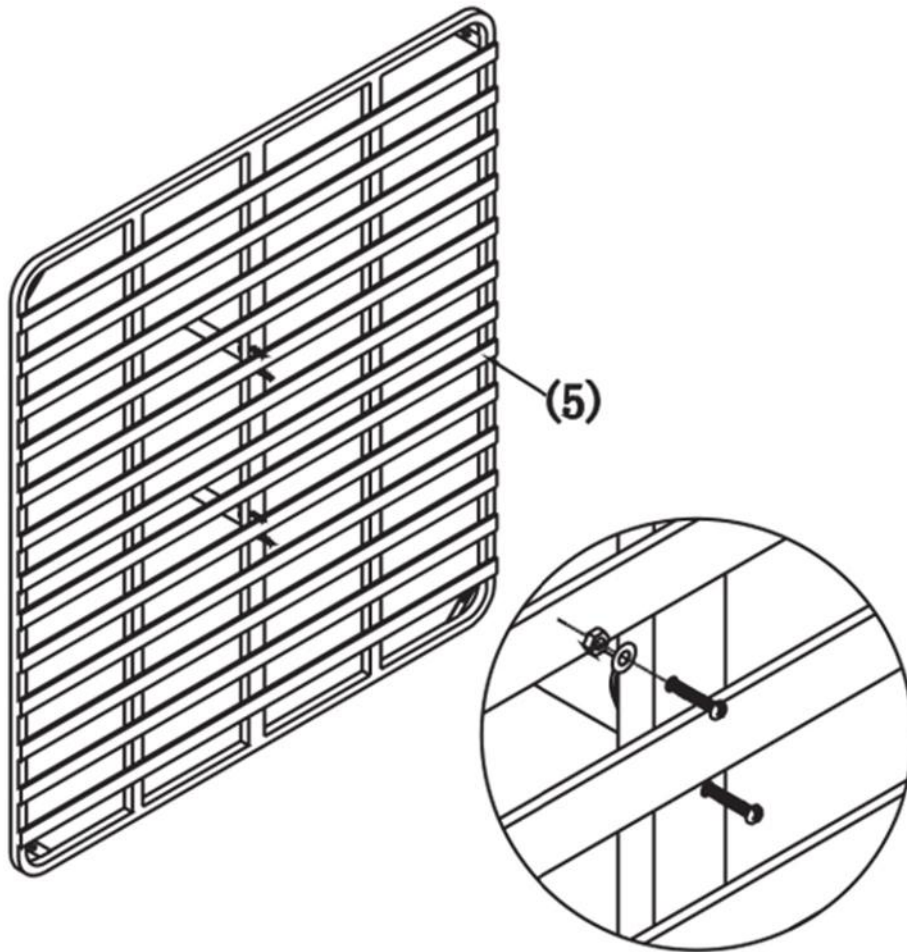
STEP 4



STEP 5



STEP 6



STEP 7

