

ASSEMBLY INSTRUCTIONS

Thank you for your purchase. Please follow the instructions provided below :-

Product Name - Malaca Buffet Cabinet

HARDWARE LIST :

A,B,J,K MINIFIX 

C DOWEL 

D BOLT 

E,H WASHER 

F NUT 

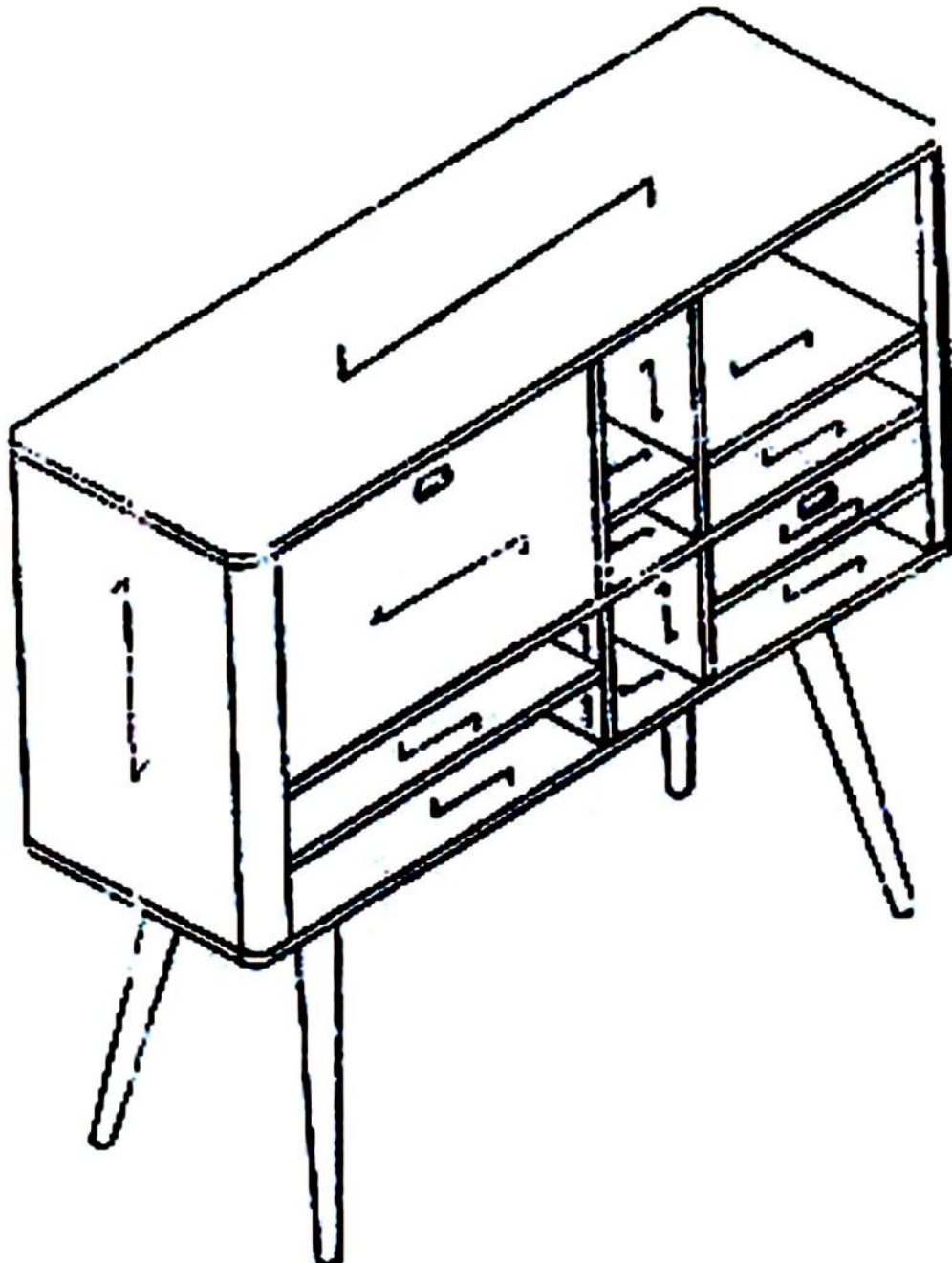
G WRENCH 

I SCREW 

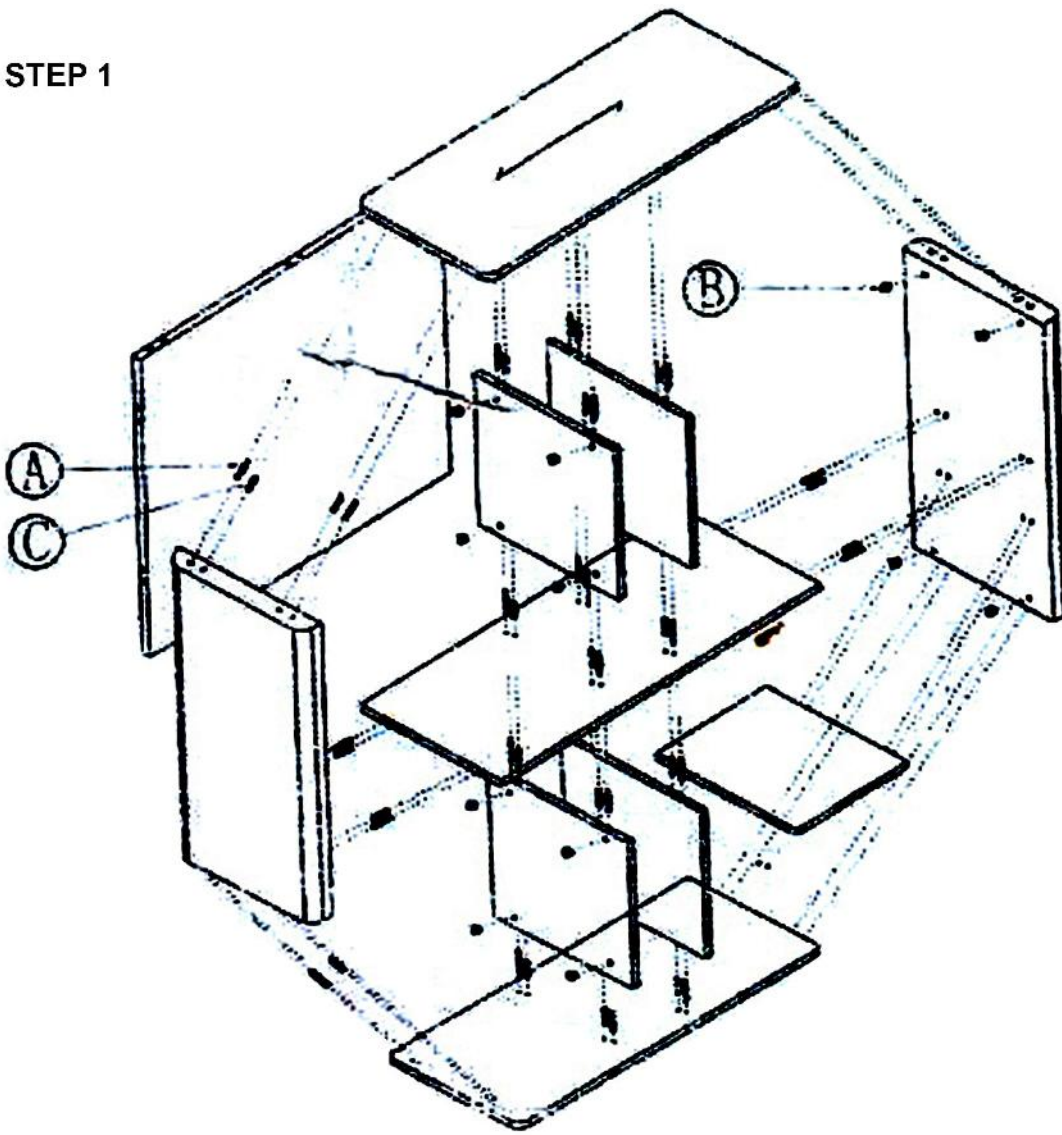
L L-CORNER 

M CHANNEL 

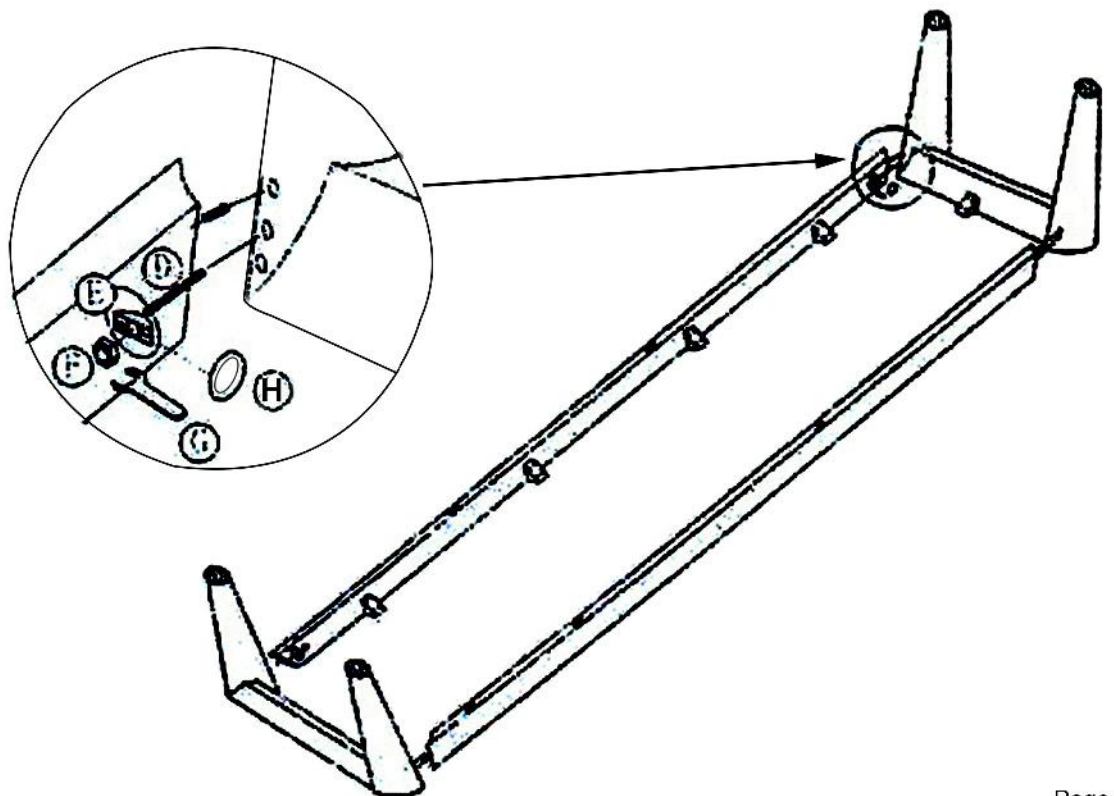
O HINGES 



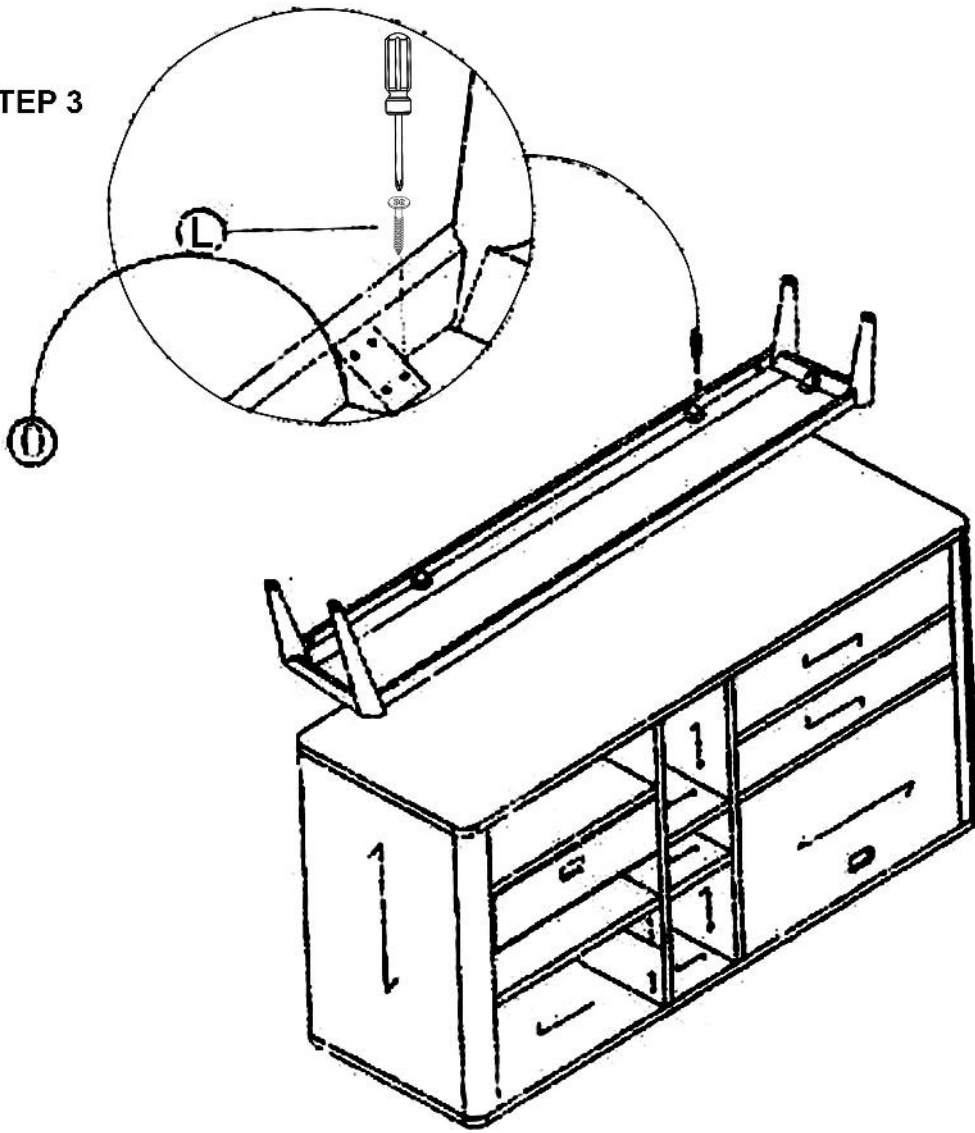
STEP 1



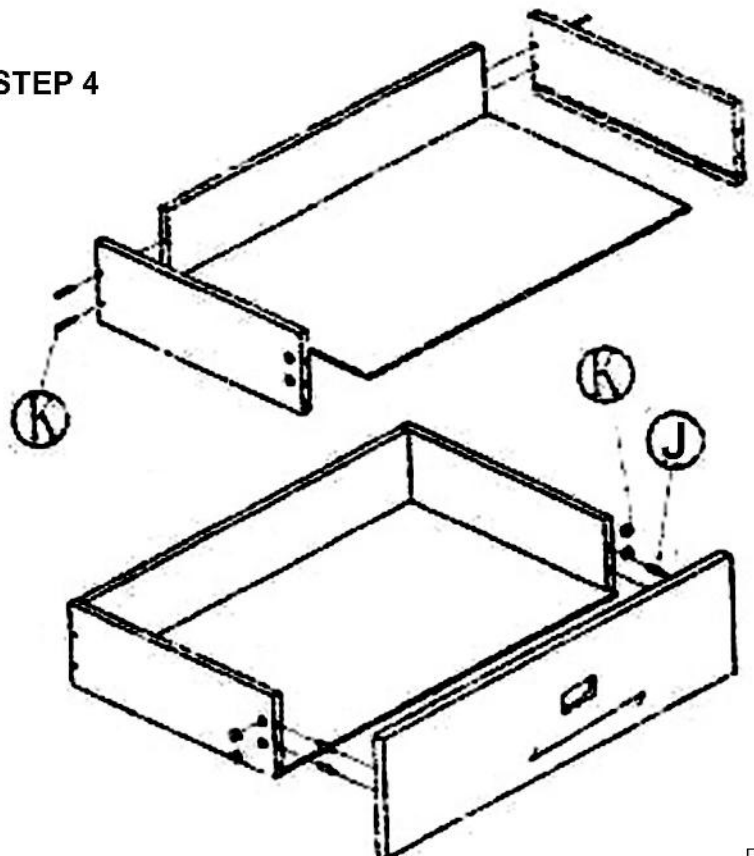
STEP 2



STEP 3



STEP 4



STEP 5

